

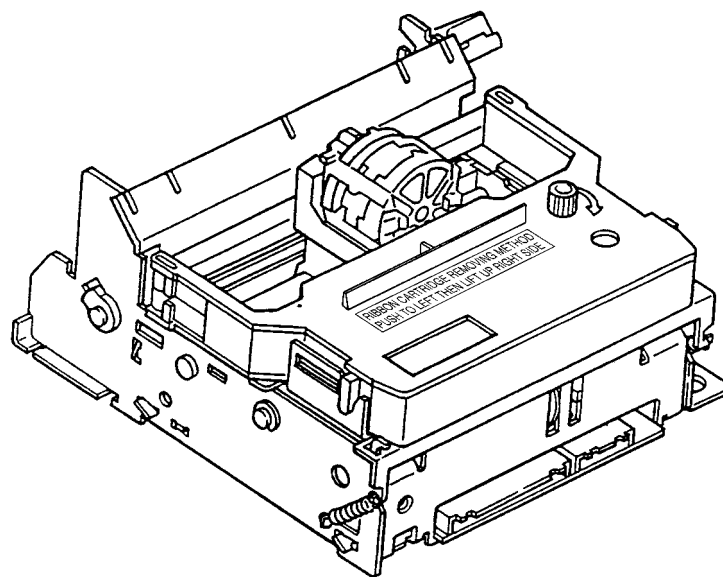
# CITIZEN

## *Service Manual*

---

### DOT MATRIX PRINTER MECHANISM MODEL DP-650 SERIES

Rev.1.00 Newly issued on Oct, 1999



Japan CBM Corporation

# **TABLE OF CONTENTS**

**INTRODUCTION**

**SECTION 1 HANDLING & MAINTENANCE OF PRINTER**

**SECTION 2 OUTLINE & OPERATING PRINCIPLES**

**SECTION 3 TROUBLESHOOTING**

**SECTION 4 DISASSEMBLY & REASSEMBLY**

**SECTION 5 PARTS LIST**

**APPENDICES**

This is a “Table of Contents preview” for quality assurance

The full manual can be purchased from our store:

[https://the-checkout-tech.com/manuals/Citizen/DP-650 Series service manual.html](https://the-checkout-tech.com/manuals/Citizen/DP-650%20Series%20service%20manual.html)

And our free Online Keysheet maker:

<https://the-checkout-tech.com/Cash-Register-Keysheet-Creator/>

[HTTPS://THE-CHECKOUT-TECH.COM](https://THE-CHECKOUT-TECH.COM)